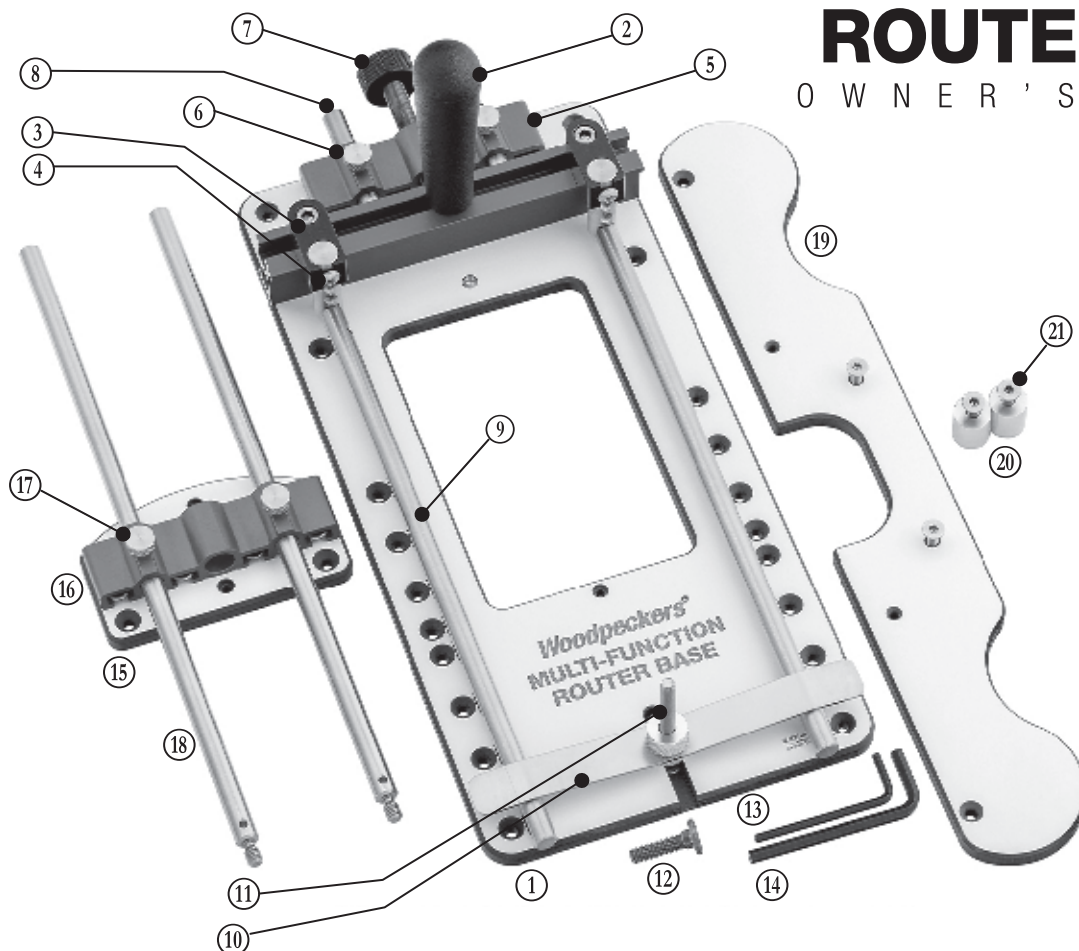


Woodpeckers®

MULTI-FUNCTION ROUTER BASE

OWNER'S MANUAL



Scan the QR code above
to watch the video
or visit woodpeck.com
under the video tab towards
the bottom of the product page.

HARDWARE BAG	DIAGRAM NUMBER	PART NAME	5/16"	3/8"	10mm & 1/4"	HARDWARE BAG	DIAGRAM NUMBER	PART NAME	5/16"	3/8"	10mm & 1/4"
			MFRB-516-21 (QTY)	MFRB-38-21 (QTY)	MFRB-10-21 (QTY)				MFRB-516-21 (QTY)	MFRB-38-21 (QTY)	MFRB-10-21 (QTY)
	①	Router Base	1	1	1		⑩	Brace	1	1	1
A	②	Handle	1	1	1	C	⑪	Tall Brace Bolt	1	1	1
	N/A	Hex Screw 1/4"-20	1	1	1		N/A	N/A	Brace Knob, Large	1	1
B	③	Horizontal Slider	2	2	2	D	N/A	Brace Knob, Small	1	1	1
	④	Vertical Slider	2	2	2		⑫	Short Brace Bolt	1	1	1
	N/A	Trammel Pin	1	1	1		⑬	1/8" Allen Wrench	1	1	1
	N/A	Button Head Screw 10-32	2	2	2		⑭	3/16" Allen Wrench	1	1	1
	N/A	Hex Nut 1/4"-20	2	2	2		⑮	Extension Base	1	1	1
	N/A	Socket Head Screw 1/4"-20	2	2	2		⑯	Extension Hub	1	1	1
	⑤	Micro Adjust Hub	1	1	1		⑰	Set Screws	2	2	2
⑥	Set Screws	2	2	2	⑱	12" Extension Rod	2	2	2		
⑨*	Guide Rod	5/16"	2	—	—	E	⑲	Edge Guide with (2) Flat Head Screw 10-32	1	1	1
		3/8"	—	2	—		⑳	Mortise Pin	2	2	2
		10mm	—	—	2		㉑	Flat Head Screw 10-32	2	2	2
		1/4"	—	—	2						

* **NOTE:** The Extension Guide Rods ⑱ and the router mounting Guide Rods ⑨ look similar but use different threads. Only the router mounting Guide Rods ⑨ will thread into the Vertical Slider ④.

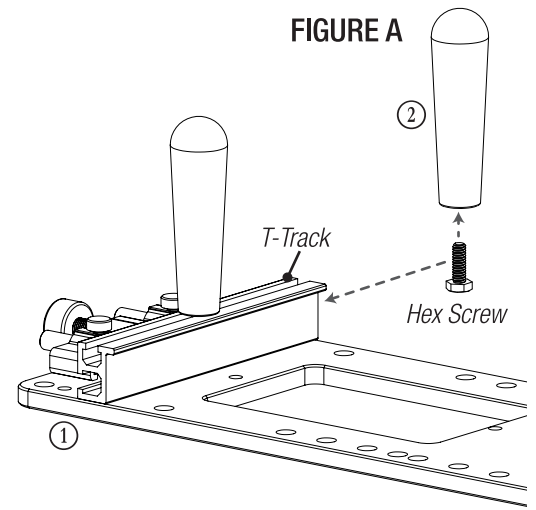
If you think you're missing anything, email us at mailroom@woodpeck.com.
You can also call us at 800-752-0725 from 9:00 a.m. to 5:00 p.m. EST Monday - Friday.

I. BASE ASSEMBLY

AT THIS POINT YOU WILL NEED:

- ① Router Base (1)
- **HARDWARE BAG A**
 - ② Handle (1)
 - Hex Screw 1/4"-20 (1)

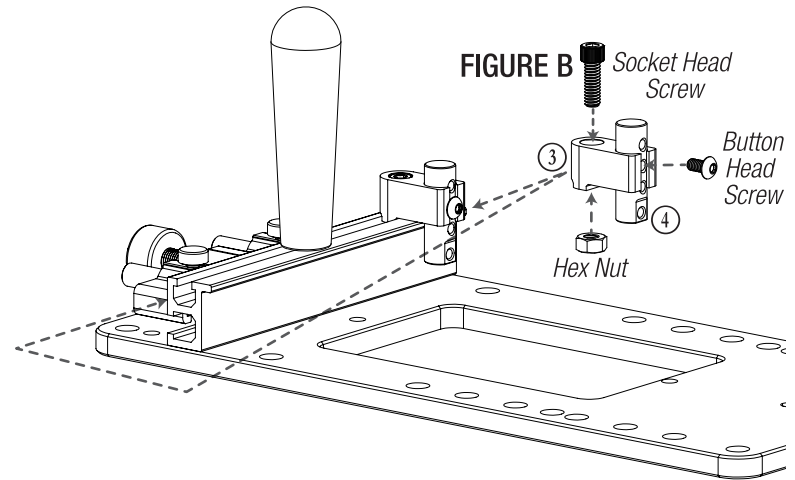
1. Thread the Hex Screw loosely into the bottom of the Handle ②. **FIGURE A.**
2. Slide the Hex Screw of the Handle assembly into the center from the side of the T-Track on the Router Base ①. Secure the Handle by pulling up slightly and turning it clockwise until tight.



AT THIS POINT YOU WILL NEED:

- **HARDWARE BAG B**
 - ③ Horizontal Slider (2)
 - ④ Vertical Slider (2)
 - Button Head Screw 10-32 (2)
 - Hex Nut 1/4"-20 (2)
 - Socket Head Screw 1/4"-20 (2)
- **HARDWARE BAG D**
 - ⑭ 3/16" Allen Wrench (1)

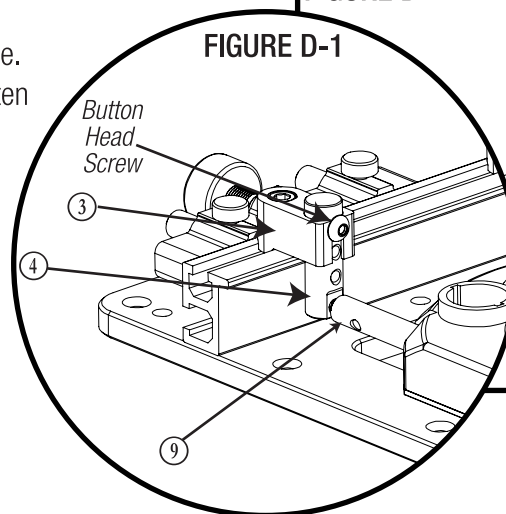
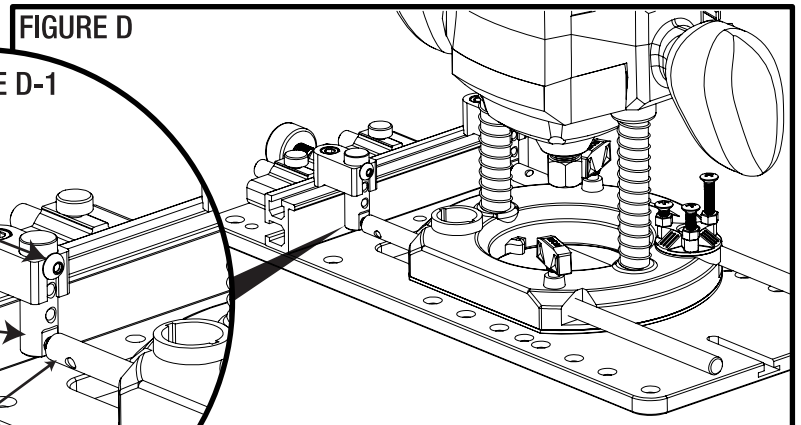
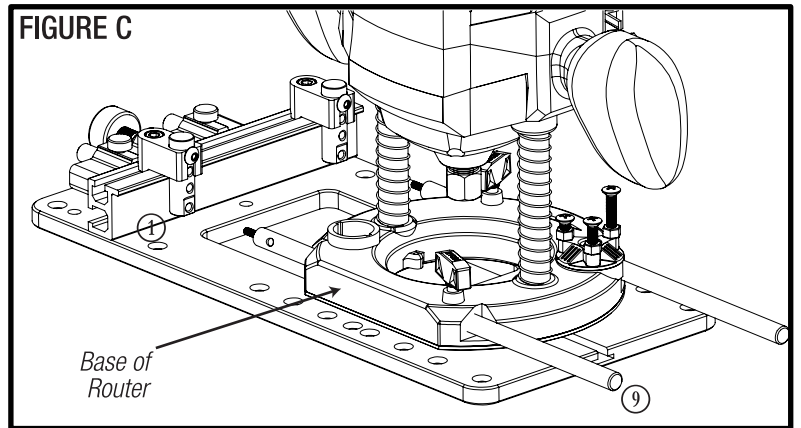
3. Insert a Socket Head Screw through the top of each Horizontal Slider ③ and use the 3/16" Allen Wrench ⑭ to loosely secure it with a Hex Nut from underneath. **FIGURE B.**
4. Slide each Horizontal Slider assembly into the T-Track on the left and right of the Handle.
5. Place the Vertical Slider ④ in the open end of the Horizontal Slider, and loosely secure it into one of the three top holes with a Button Head Screw.



AT THIS POINT YOU WILL NEED:

- ⑨ Guide Rods (2)
- **HARDWARE BAG D**
 - ⑬ 1/8" Allen Wrench (1)

6. Insert the Guide Rods ⑨ into the base of the router.
7. Set the router on top of the Router Base ①. **FIGURE C.**
8. Roughly center the router on the Router Base and align the Horizontal/Vertical Sliders with the Guide Rods.
9. Tighten the Guide Rods to the bottom holes on the Vertical Sliders ④. **FIGURE D & D-1.**
10. Tighten the Button Head Screws of the Vertical Sliders to secure.
11. Center the router on the Router Base.
12. Use the 1/8" Allen Wrench ⑬ to tighten the Socket Head Screw in the Horizontal Slider ③.
13. Ensure the router slides smoothly from front to back.



NOTE: The Extension Guide Rods ⑱ and the router mounting Guide Rods ⑨ look similar but use different threads. Only the router mounting Guide Rods ⑨ will thread into the Vertical Slider ④.

NOTE: The Handle is not shown installed in these images. The Handle is optional for routers with handles.

AT THIS POINT YOU WILL NEED:

• **HARDWARE BAG C**

- ⑩ Brace (1)
- ⑪ Tall Brace Bolt (1)
- Brace Knob, Large (1)
- Brace Knob, Small (1)

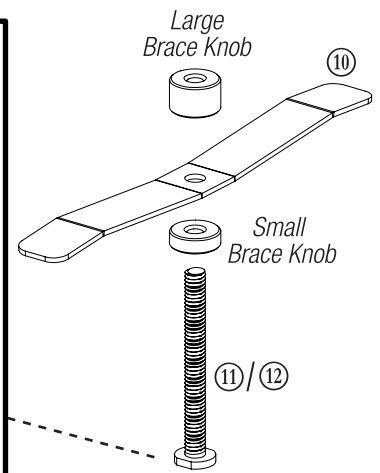
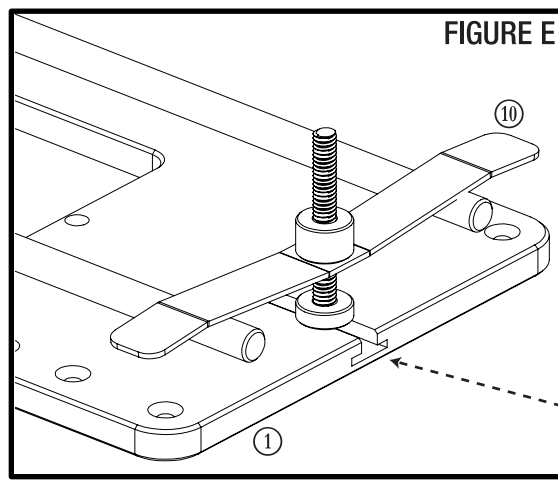
• **HARDWARE BAG D**

- ⑫ Short Brace Bolt (1)

14. Insert either the Tall Brace Bolt ⑪ or the Short Brace Bolt ⑫ (depending on the size of your router) into the T-slot in the Router Base. **FIGURE E.**

15. Thread on the Small Brace Knob to secure the Brace Bolt.

16. Slide the Brace ⑩ onto the Brace Bolt and then secure it with the Large Brace Knob.



II. EDGE GUIDE ASSEMBLY

AT THIS POINT YOU WILL NEED:

- ⑲ Edge Guide w/ (2) Flat Head Screws 10-32

• **HARDWARE BAG E**

- ⑳ Mortise Pin (2)
- ㉑ Flat Head Screw 10-32 (4)

• **HARDWARE BAG D**

- ⑬ 1/8" Allen Wrench (1)

1. Select one of the 10 mounting points on the Router Base ①.
2. Place the Edge Guide ⑲ under the Router Base in the desired location. **FIGURE F.**
3. Secure it with two Flat Head Screws ㉑ from the top of the Router Base using a 1/8" Allen Wrench ⑬.

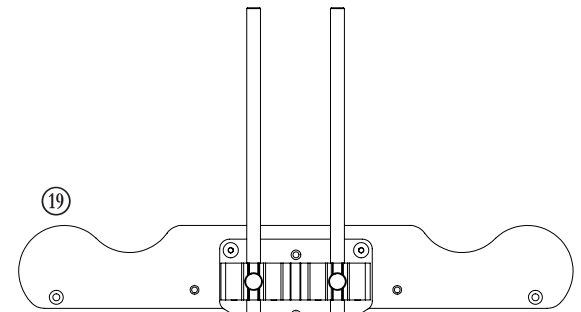
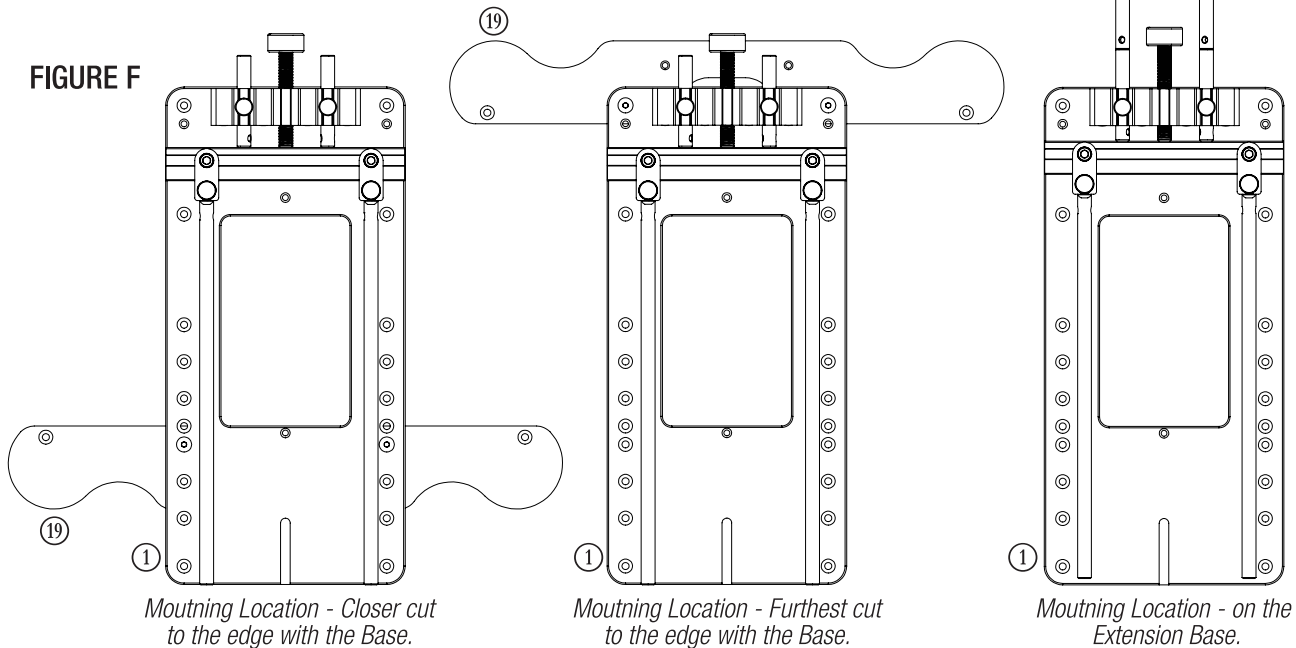


FIGURE F



Mounting Location - Closer cut to the edge with the Base.

Mounting Location - Furthest cut to the edge with the Base.

Mounting Location - on the Extension Base.

III. EXTENSION BASE ASSEMBLY

AT THIS POINT YOU WILL NEED:

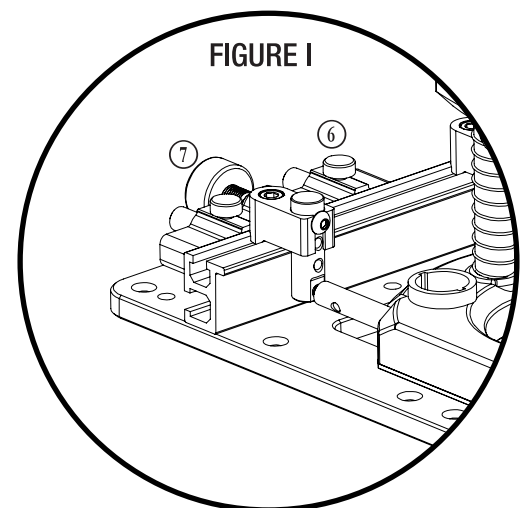
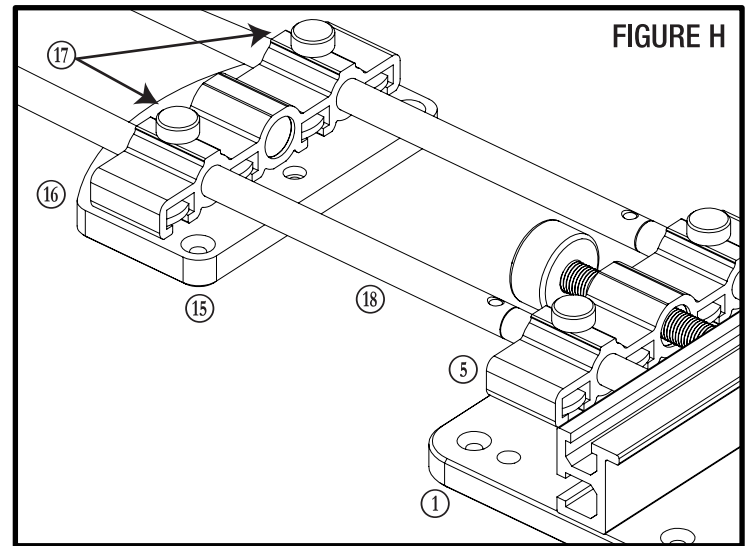
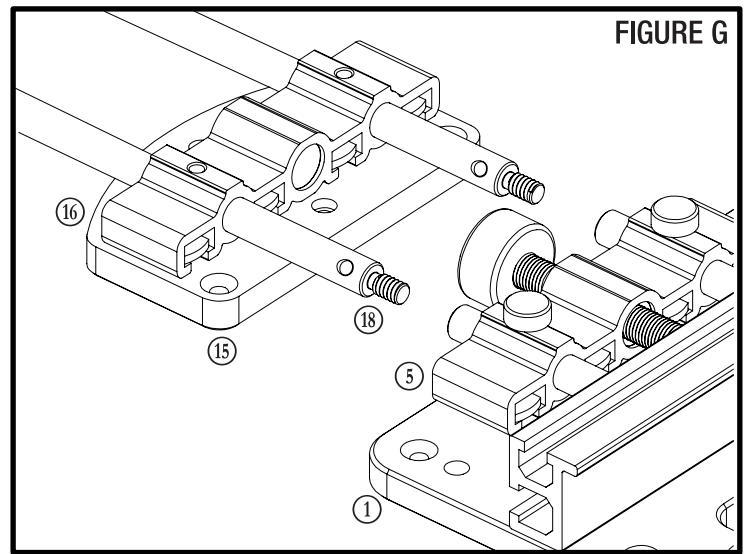
- ⑮ Extension Base (1)
- ⑯ Extension Hub (1)
- ⑰ Set Screws (2)
- ⑱ Extension Rods, 12" (2)

1. Slide the Extension Rods ⑱ into the Extension Base ⑮/ Extension Hub ⑯ assembly and thread them into the Micro-Adjust Hub ⑤ on the Router Base ①. **FIGURE G.**

2. Insert the Set Screws ⑰ into the top of the Extension Hub. Loosen and tighten the Set Screws to adjust the Extension Base. **FIGURE H.**

IV. MICRO-ADJUST HUB

To use the Micro-Adjust feature, loosen the Set Screws ⑥ and turn the Micro-Adjust Knob ⑦ left or right to make fine adjustments to the location of your router. **FIGURE I.**



V. CUTTING CIRCLES OR ARCS

AT THIS POINT YOU WILL NEED:

- **HARDWARE BAG B**
Trammel Pin (1)
- **HARDWARE BAG D**
⑬ 1/8" Allen Wrench (1)

1. Drill an 1/8" pilot hole in your desired pivot location.
2. Insert the Trammel Pin in one of the four locations on the Router Base with the Allen Wrench ⑬.

FIGURE J.

3. Press the Trammel Pin while attached to the base into the 1/8" Pilot Hole.
4. Loosen the Brace Bolt and Set Screws (6) to dial in your router to the appropriate cutting location by sliding the router along the guide rods and micro-adjusting to the exact starting position.
5. Tighten the Set Screws (6), Large Brace Knob, Small Brace Knob to the Router Base and the router to the Guide Rods before making the cut.
6. Refer to the chart to see what points cover each radius. **FIGURE K.**

NOTE: The Trammel Pin fits tightly in the 1/8" pilot hole. A secondary tool such as a painter's knife may help in removing the Router Base/Trammel Pin from the workpiece. Do this by sliding the painter's knife under the Router Base and applying upward pressure to release the Trammel Pin from the pilot hole.

NOTE: The Trammel Pin stores in the Vertical Slider ④.

FIGURE J-1.

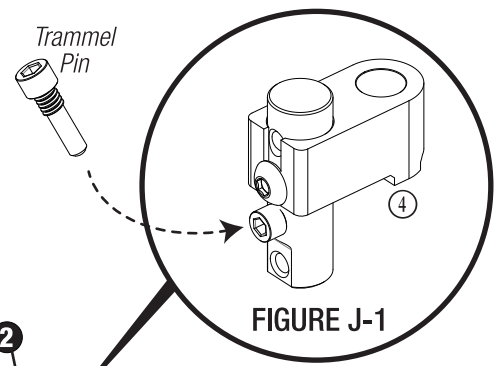


FIGURE J-1

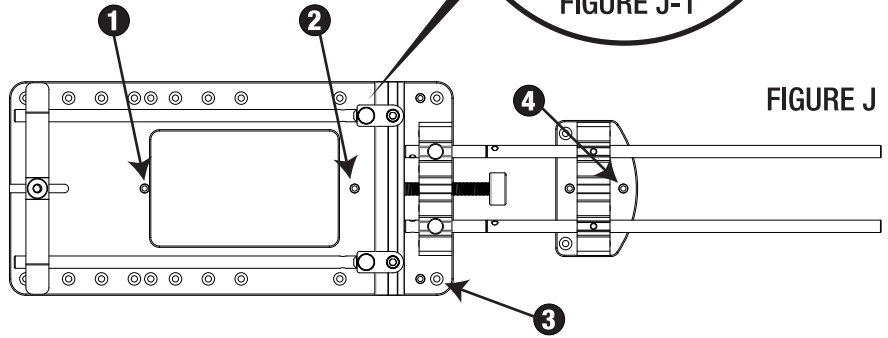
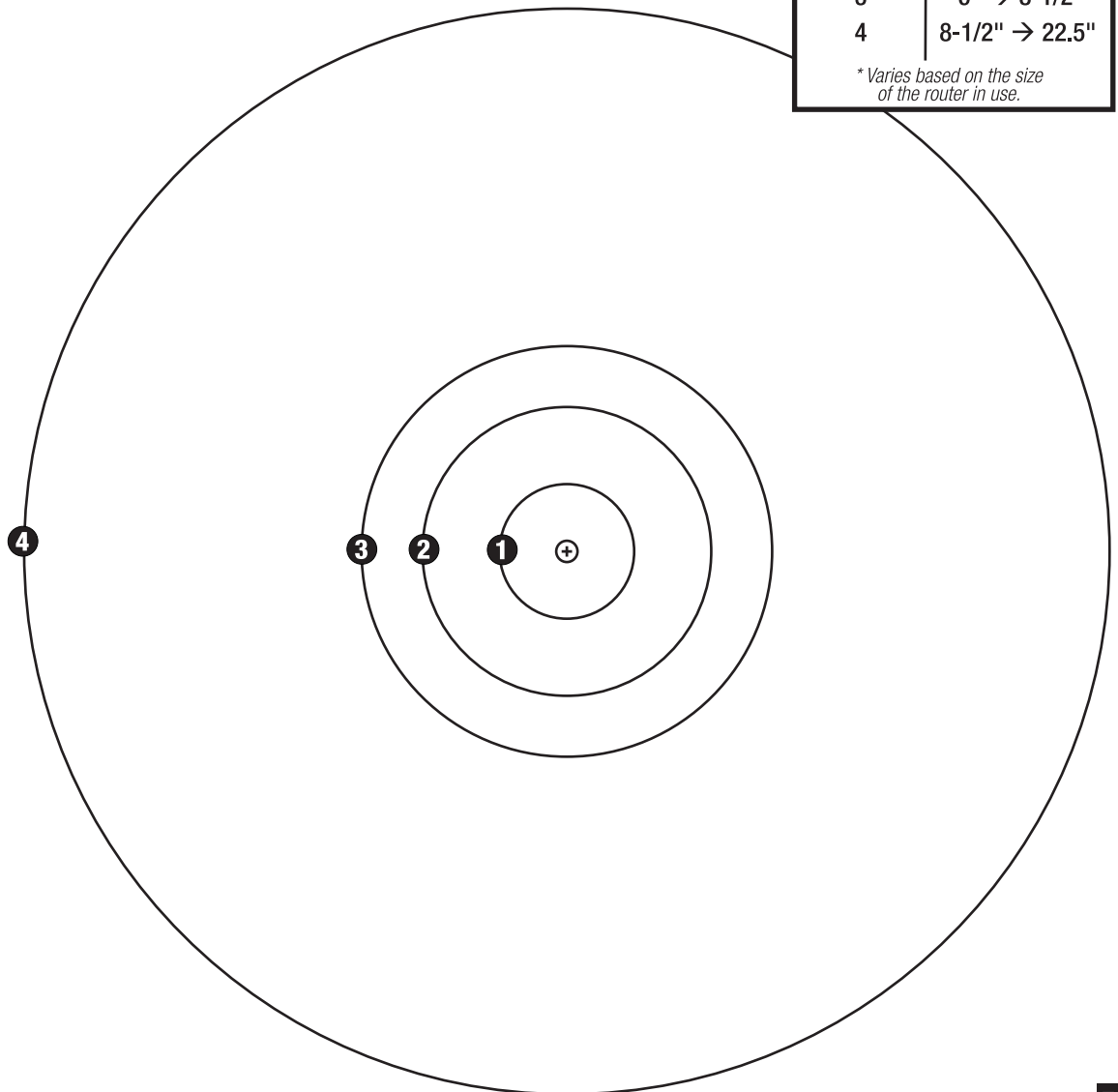


FIGURE J

FIGURE K

TRAMMEL POINT	RADI COVERED*
1	3/8" → 2-3/4"
2	2-3/4" → 6"
3	6" → 8-1/2"
4	8-1/2" → 22.5"

*Varies based on the size of the router in use.



VI. MORTISING

AT THIS POINT YOU WILL NEED:

- **HARDWARE BAG E**

⑳ Mortise Pin (2)

㉑ Flat Head Screw 10-32 (2)

1. Insert a Flat Head Screw ㉑ on opposing corners of the Router Base and thread the Mortise Pins ㉒ onto the Flat Head Screws from underneath. **FIGURE L.**

2. With the router installed on the Router Base, place it on top of the workpiece over the desired mortise location.

3. Rotate the Router Base counter clockwise so that the Mortise Pins reference both sides of the board. **FIGURE M.**

4. Dial in your cut using the Micro-Adjust Knob ⑦.

5. Plunge the router and slide along the board until your desired mortise is cut. **FIGURE N.**

FIGURE L

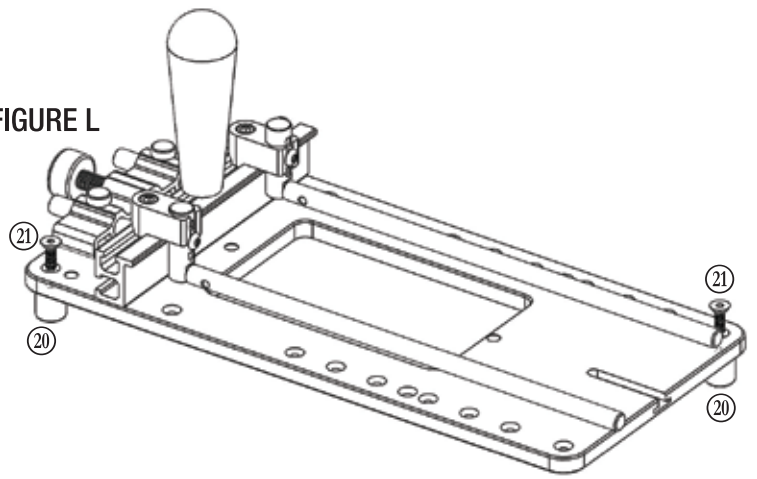


FIGURE M Shown without router for clear illustration purposes.

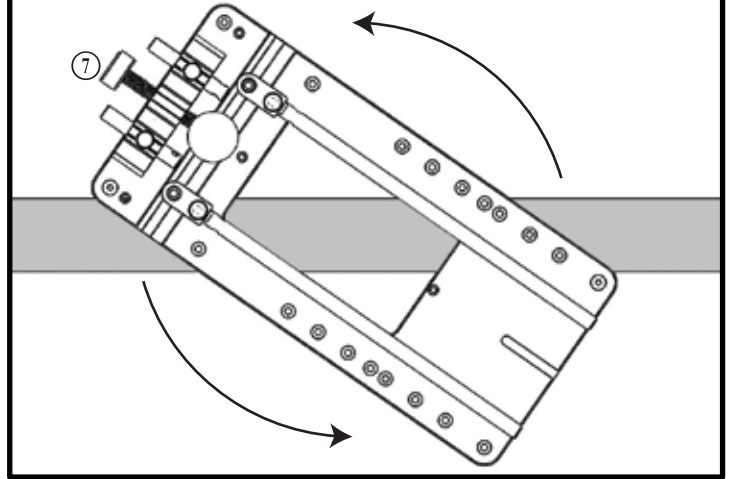
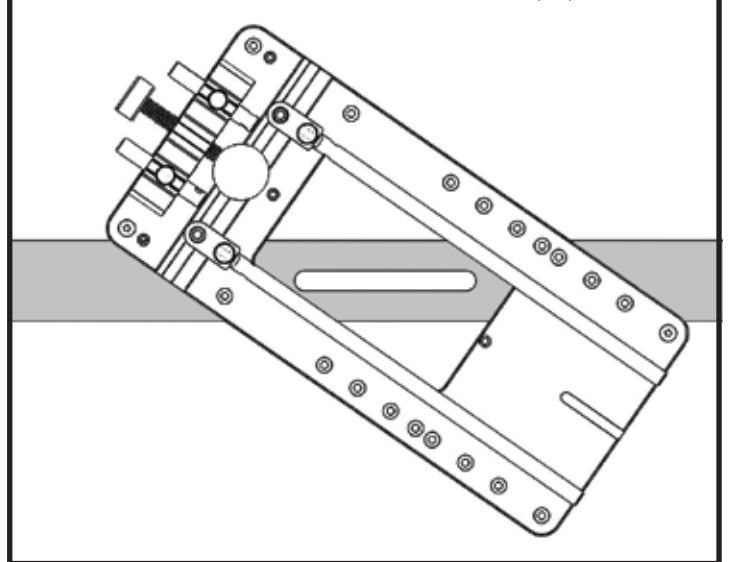


FIGURE N Shown without router for clear illustration purposes.



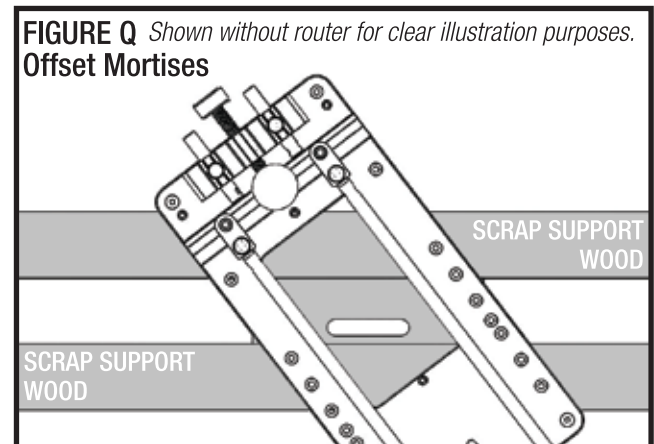
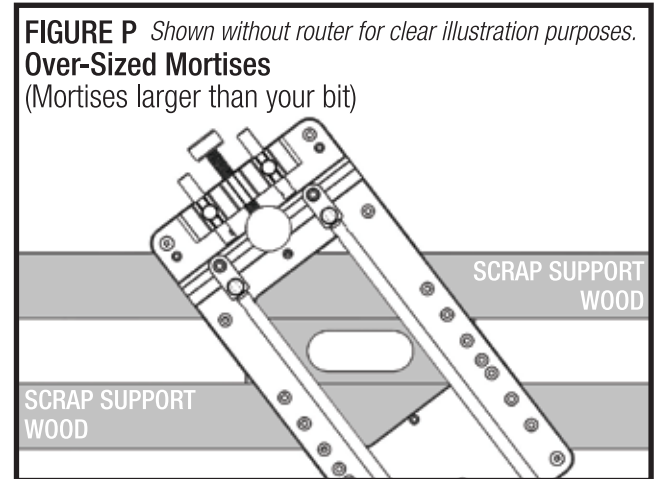
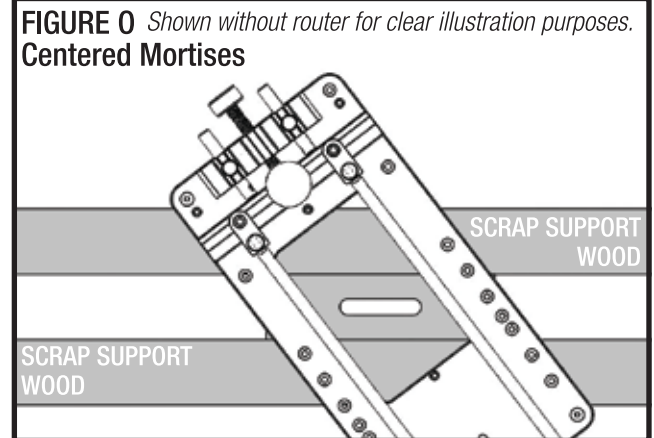
6. To create a **MORTISE WIDER THAN THE BIT YOU ARE USING** (**FIGURE P**)

- A. Draw your desired mortise on the workpiece.
- B. Rotate the Router Base/router until the Mortise Pins reference both sides of the board.
- C. Use the Micro-Adjust to dial in the router bit to the starting edge of the mortise layout line. Route the first side of the mortise by plunging the router and keeping the Mortise Pins pressed against both sides of the board. Slide the Router Base along until the first side of the mortise is cut.
- D. Micro-adjust over to the other edge of the mortise layout line and make a second pass to finish creating the over-sized mortise.

7. To create an **OFFSET MORTISE** (**FIGURE Q**)

- A. Draw your desired mortise on the workpiece.
- B. Rotate the Router Base/router until the Mortise Pins reference both side of the board.
- C. Use the Micro-Adjust to position the router bit above the desired mortise location.
- D. Route the mortise by plunging the router and keeping the Mortise Pins pressed against both sides of the board. Slide the Router Base along until the desired mortise size is cut.

NOTE: If the work piece is too narrow, add scrap pieces to both sides of the work piece for additional support. **FIGURE O**.



VII. COMPOUND CURVES

1. Use a compass to layout your circles so that they will each intersect at the desired location.
2. Drill an 1/8" pilot hole (represented by the **Xs** *Figure R.*) in each place that you used the compass to pivot from.
3. Insert the Trammel Pin (with the base and router installed) in each pilot hole one at a time.
4. Use the Micro-Adjust to dial in the location of the router bit.
5. Plunge the router and rotate the base until the desired amount of the curve is cut. *Figure S.*

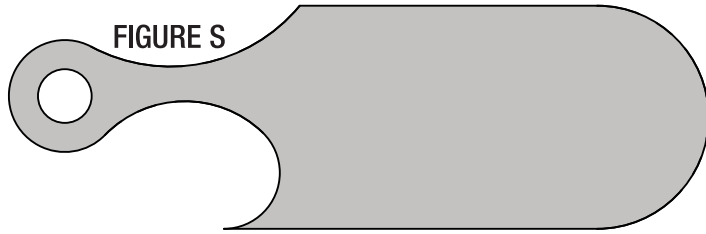
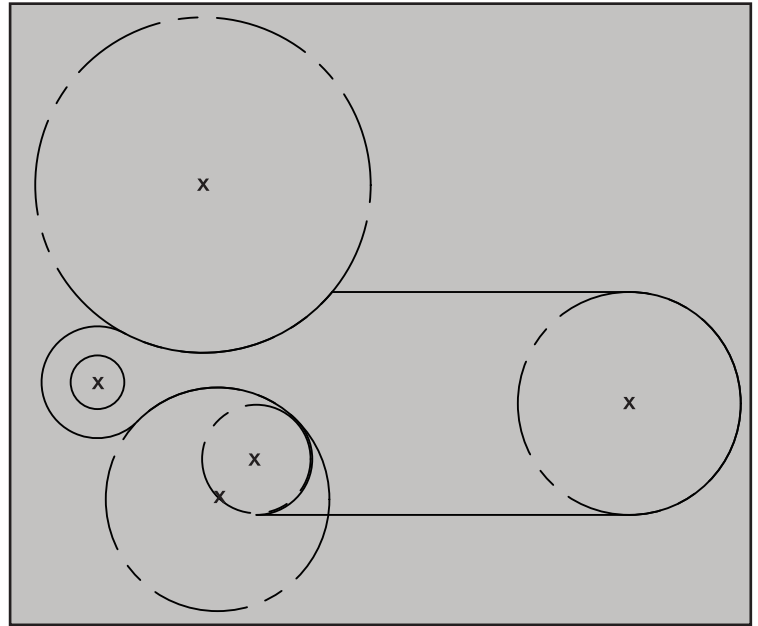


FIGURE R



MANUFACTURER / MODEL		ROD SIZE			
		1/4" (6mm)	5/16" (8mm)	3/8" (9.5 mm)	25/64" (10 mm)
Festool	OF-2200				X
	OF-1400		X		
	OF-1010		X		
Dewalt	DW610		X		
	DW614		X		
	DW615		X		
	DW616				X
	DW618				X
	6182 Plunge Base				X
	DW621		X		
	DW625				X
Bosch	1611			X	
	1613			X	
	1615			X	
	1617			X	
	1617 EVSPK (Plunge Base)			X	
	1618			X	
	1619			X	
	MRC23EVSK			X	
	MRF23EVS			X	
	MRP23EVS			X	
	RA1166 Plunge Base			X	
	Mi01 Plunge Base			X	
POF 1200 AE			X		
Porter Cable	690 Series Fixed Base	X			X
	690 Series Plunge Base	X			X
	890 Series Fixed Base	X			X
	7518				X
Craftsman	315.275		X		
Freud	FT2000E				X
Hitachi	M12V (3.25hp)				X
Milwaukee	5625-20				X
Makita	RP230FC				X
	Plunge Base for Cordless		X		

NOTE: The manufacturer brand names listed are the registered trademarks of the respective companies and are not associated with Woodpeckers, LLC.

ROUTER COMPATIBILITY

This list is not intended to be comprehensive! These are routers that we have specifically tested for compatibility and have listed their appropriate rod size for your convenience. If your router is not on this list, you can determine in a few minutes if the Multi-Function Router Base is compatible.

1. Does your router have holes in the base to accept a pair of guide rods?
2. Do the holes go completely through the base?
3. Will the holes fit one of these sizes: 5/16" (8mm), 3/8" (9.5mm) or 25/64" (10mm)?

If the answer to all three questions is YES, the Multi-Function Router Base will fit your router.

Measuring the hole size: The surest way to get the correct-sized guide rods is to measure the guide rods that came with your router. If your router has guide rod holes, but did not come with guide rods, you can measure the holes with drill bits. Find the drill bit that will freely pass through the guide rod holes without binding. Order the guide rod size that is equal to or slightly smaller than the drill bit.

Woodpeckers®

Woodpeckers, LLC Strongsville, Ohio

woodpeck.com

© 2021 Woodpeckers, LLC



At Woodpeckers we are constantly reviewing & improving our tools. The most current version of our instruction manuals are always available to download/print at woodpeck.com via the tool's page.

(Located in the bottom section of the tool page under the "Additional Information" or "Instructions" tabs.)



Be the first to know all the new products & sales by subscribing to our eClub.

(Located at the top center of our webpage woodpeck.com.)



Subscribe to our YouTube channel to stay up-to-date on all the latest tool tips & tricks.



Interact with us! Follow us on Facebook & Instagram!



WARNING!

This product can expose you to chemicals, including formaldehyde, which is known to the State of California to cause cancer and birth defects or other reproductive harm. For more information go to www.P65Warnings.ca.gov